

SWIFT *Sport*



Way of Life!



LET ME STING YOU 230 N-M TORQUE

Distinctive hot hatch performance is embodied by highly responsive acceleration, made possible by powerful 230 N-m torque from the new direct-injection turbo engine. Such performance is perfectly complemented by a smooth-shifting six-speed manual transmission. The powertrain's great refinement opens the way to the next stage of sporty driving.

ENGINE PERFORMANCE DISPLAY

The Swift Sport features an advanced multi-functional display that intuitively conveys a range of information such as running performance, economy, and engine output.



THE SUSPENSION SYSTEM

has been dramatically enhanced to provide clear feedback regarding road and traction conditions.



Monroe® MacPherson strut on the front suspension



Torsion beam rear suspension with specially designed trailing arm

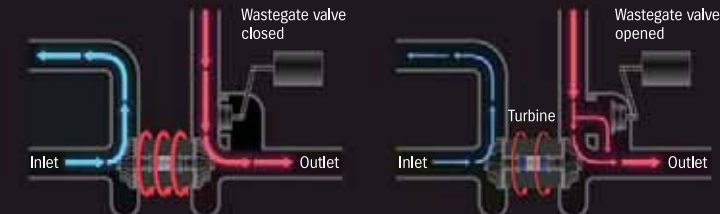
PERFORMANCE AND SAFETY



1.4 BOOSTERJET ENGINE

The new 1.4 BOOSTERJET direct-injection turbo engine evolves the torqueful driving of the new Swift Sport. The intercooled turbocharger forces pressurised air into cylinders and enables the engine to maximise torque in the low engine rev range, even at 2,000rpm. Moreover, the wastegate valve controls turbo boost pressure by opening or closing the gate, dramatically quickening response and lowering fuel consumption. The direct injection system further enhances fuel efficiency by optimising control of the amount, timing and pressure of injected fuel in direct fuel injection. In addition, fuel efficiency is raised by electric intake variable valve timing (VVT) and cooled exhaust gas recirculation (EGR).

Wastegate valve

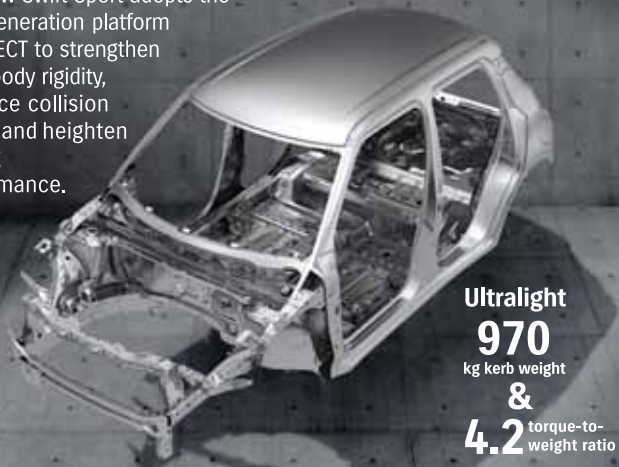


Closed for normal driving, it helps apply higher boost pressure to achieve excellent torque response.

Opened for cruising, it prevents overpressure and suppresses fuel consumption.

HANDLING AND TRACTION

The new Swift Sport adopts the new-generation platform HEARTECT to strengthen underbody rigidity, enhance collision safety and heighten driving performance.



Ultralight
970
kg kerb weight
&
4.2 torque-to-weight ratio

ESP® AND ABS WITH EBD

When braking, Swift Sport automatically modulates the force applied to each wheel to provide the optimum amount of pressure and bring the car to a safe, controlled stop. There's also Electronic Stability Programme or ESP® to help you stay in control when you're cornering by counteracting under and oversteer. This also improves traction and reduces the possibility of skidding.

HILL HOLD CONTROL

When starting the Swift Sport on a slope, hill hold control helps prevent the vehicle from rolling backwards for approximately two seconds after you remove pressure from the brake pedal.



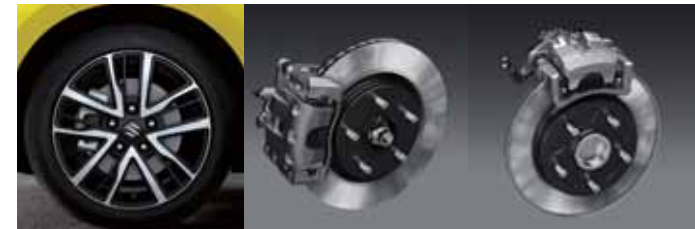
REAR PARKING SENSOR

Ultrasonic sensors in the bumper detect obstacles while the driver is reversing the car and warning sounds inform the driver of the distance to the obstacles.



BRAKING PERFORMANCE

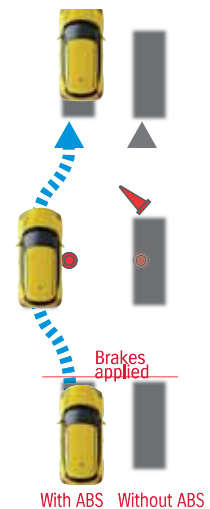
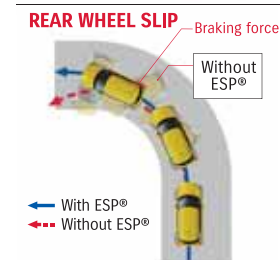
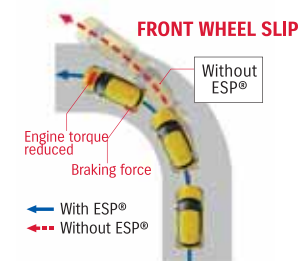
Braking performance can be even more important at times than driving performance, so the new Swift Sport employs 16-inch ventilated front disc brakes and 15-inch solid rear disc brakes for superior braking power and feel.



16-inch Alloy wheels

16-inch ventilated front disc brakes

15-inch solid rear disc brakes



GET EMOTIONAL INSIDE

The interior makes a strong design statement. Decoration panels are graded from red to black. An exclusive meter cluster stands out with two separate colour arrangements: a red dial on a black-and-white tachometer face and a dark silver speedometer. Boost/oil temp gauges on the centre 4.2-inch colour display turn up the spirited look. Semi-bucket seats with red stitching and embossed "Sport" logo are comfortably sculpted to provide ample lateral support and stiffness that optimise your feel for the road, even in high-speed turns. A dimpled D-shaped steering wheel and gleaming stainless steel pedals add to the vehicle's ultimate sportiness. For more possibilities, connect a smartphone – its various data become accessible on the audio display.



INTERIOR / EXTERIOR / SAFETY AND FEATURES

CHASSIS			Pollen filter		S
Tyres and wheels	195/50R16 + polished alloy wheels	S	Audio	Antenna (mounted at rear of roof)	S
Spare tyre and wheel	T125/70R17 + steel wheel (for temporary use only)	S		Front speakers, Rear speakers, Front tweeters	S
EXTERIOR				Smartphone linkage display audio + Bluetooth®* +	S
Exclusive front bumper & grille		S		Rearview camera	S
Exclusive rear bumper		S	Cruise control		S
Side under spoiler		S	INTERIOR		S
Rear end spoiler		S	Cabin lights	Front map light (3-position)	
Dual exhaust pipes		S	Sun visors	Driver's side with ticket holder + vanity mirror	S
Black-coloured A and B pillars		S		Passenger's side with ticket holder + vanity mirror	S
Outside door handles	Body coloured	S	Assist grips	Passenger's side, Rear x 2	S
Tailgate opener	Electromagnetic	S	Cup holders	Front x 2, Rear x 1	S
VISIBILITY			Bottle holders	Front x 2, Rear x 2	S
Headlamps	LED projector	S	Centre-lower box		S
Headlamp leveling device	Manual	S	Shift knob	Black with satin chrome accent	S
Automatic lamps		S	Parking brake release button	Chrome	S
Rear combination lamps	LED	S	USB port and AUX input	Console box	S
Fog lamps	Front	S	12V accessory socket	Console box	S
Position lamps	LED	S	Remote fuel lid opener		S
Green-tinted windows		S	Front door trim insert	Fabric	S
Wipers	Front: 2 speeds (low, high) + adjustable intermittent + washer	S	Inside door handles	Chrome	S
	Rear: 1 speed + intermittent + washer	S	Storage pockets	Front doors	S
Rear window demister		S	SEATS		S
Outside door mirrors	Body coloured with built-in turn signal lamp	S	Front seats	Seat height adjuster (driver's side)	S
	Electrical adjust & Electrical fold	S		Head restraints (Sport integrated type)	S
Day / night rearview mirror		S		Seatback pocket (passenger's side)	S
STEERING AND INSTRUMENT PANEL			Rear seats	60:40-split single-fold	S
3-spoke steering wheel	Leather covered	S		Head restraint x 3 (separate type)	S
	With audio controls, With cruise control, With hands-free phone control	S	Seat upholstery material	Sport exclusive fabric	S
	With paddle shift	S (AT)	LUGGAGE AREA		
	Telescopic-adjust & Tilt-adjust	S	Luggage shelf		S
Power steering		S	Luggage area light		S
Tachometer		S	SAFETY, SECURITY, AND ENVIRONMENTAL COMPATIBILITY		
Information display	4.2-inch colour LCD	S	SRS front dual airbags		S
	Clock	S	SRS side airbags	Front	S
	Outside temperature gauge	S	SRS curtain airbags		S
	Fuel consumption gauge (instantaneous/average)	S	Pedal release system		S
	Gear position indicator (AT)	S (AT)	Seatbelts	Front: 3-point ELR seatbelts with pretensioners and force limiters	S
	Driving range	S		With shoulder height adjusters	S
	Oil temperature gauge	S		Rear: 3-point ELR seatbelts, 3-point ELR seatbelts x 1 (centre)	S
	Speed (average) Speed (running)	S	ISOFIX child seat anchorages	x2	S
Light-off and key reminder	Alarm	S	Child seat tether anchorages	x2	S
Driver's seatbelt reminder	Lamp & Alarm	S	Childproof rear door locks		S
Passenger's seatbelt reminder	Lamp & Alarm	S	Side impact door beams		S
Door ajar reminder	Lamp	S	ABS (with EBD function)		S
Low fuel warning	Lamp	S	ESP®**		S
DRIVING AMENITIES			Parking sensors	Rear: 4 sensors	S
Electric windows	Front & Rear	S	Hill hold control		S (AT)
	Switch on driver's side	S	AT shift lock / key interlock		S (AT)
Central door locking	With hazard lamp answerback function	S	DRL (daytime running lights)	LED (integrated in headlamps)	S
Remote-control door locks		S	High-mount stop lamp		S
Keyless push start system		S	Immobiliser		S
Air conditioner	Automatic	S	Security Alarm	Door	S

SPECIFICATIONS

ENGINE				TRANSMISSION			
Type			K14C	Type			6MT 6AT
Number of cylinders			4	Gear ratio	1st	3.615	4.044
Number of valves			16		2nd	2.047	2.37
Piston displacement	cm3		1,373		3rd	1.518	1.555
Bore x stroke	mm		73.0 x 82.0		4th	1.156	1.159
Compression ratio	kW/rpm		9.9		5th	0.918	0.851
Maximum output	N·m/rpm		103/5,500		6th	0.794	0.672
Maximum torque			230/2,500-3,500		Reverse	3.481	3.193
Fuel distribution			Direct injection	Final gear ratio		3.944	3.683
DIMENSIONS				CAPACITY			
Overall length	mm			Seating capacity			5
Overall width	mm		3,890	Fuel tank capacity			37
Overall height	mm		1,735	Luggage capacity *	"Max. volume (fixed rear seat) - with emergency flat tyre repair kit"		947
Wheelbase	mm		1,480		"Rear seatback folded (VDA method) - with emergency flat tyre repair kit"		579
Tread	Front	mm	2,450		"Rear seatback raised (VDA method) - with emergency flat tyre repair kit"		265
	Rear	mm	1,510				
Minimum turning radius *	m		1,515				
Minimum ground clearance	mm		5.1				
CHASIS				WEIGHT			
Steering			Rack & Pinion	Kerb weight (min./with full option)	kg	970	995
Brakes	Front		Ventilated disc	Gross vehicle weight	kg	1,445	
	Rear		Disc				
Suspension	Front		MacPherson strut with coil spring	PERFORMANCE			
	Rear		Torsion beam with coil spring	Maximum speed	km/h	205	
Tyres			195/50R16	0-100 km/h *	sec	8.0	

Specifications may vary for individual markets.

COLOURS

CHAMPION YELLOW (ZFT)



BURNING RED PEARL METALLIC (ZWP)



SPEEDY BLUE METALLIC (ZWG)



PURE WHITE PEARL (ZVR)



TWO TONE NEW COLOURS WITH SUPER BLACK PEARL ROOF

FLAME ORANGE PEARL METALLIC (CFK)



BURNING RED PEARL METALLIC (D&Z)



PREMIUM SILVER METALLIC (ZNC)



MINERAL GRAY METALLIC (ZMW)



SUPER BLACK PEARL (ZMV)



SPEEDY BLUE METALLIC (C7R)



BERIBI

Lot No. 30, Beribi Industrial Complex II
Jalan Gadong BE1118, Brunei Darussalam
Tel +673 245 3162/3 Fax +673 245 3161

GADONG BRANCH

Lot 20735, Spg 137, Km 4,
Jalan Gadong, Brunei Darussalam
Tel +673 2421298 / 2421268

KUALA BELAIT BRANCH

Lot 8989, Units 1-4, Block A, Jalan Pandan 7,
Kg Pandan KA1931 Kuala Belait, Brunei Darussalam
Tel +673 333 4284 Fax +673 333 4286

